

MK 211

½" microphone

frequency range up to 40 kHz



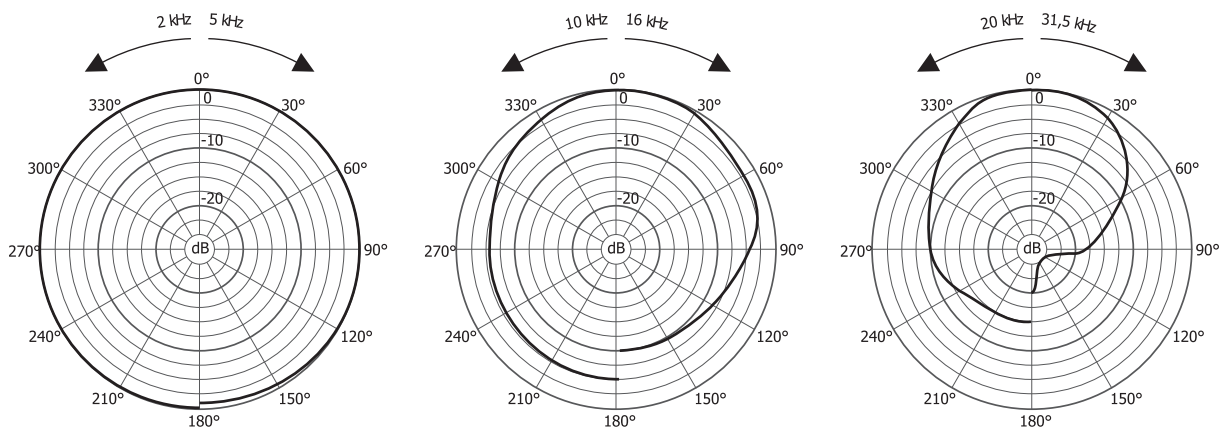
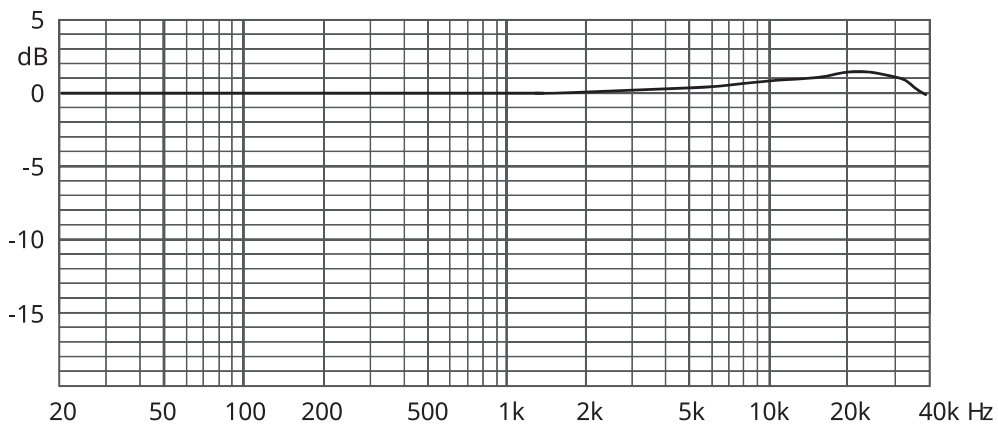
- WS2F acc. IEC 61094-4
- free-field
- 10 Hz to 40 kHz
- 23 dB(A) to 167 dB
- 200 V polarization
- Nickel

Delivery	Typ	Order-No.
Microphone capsule, nickel, in wooden case	MK 211	311162
Options and Accessories	Typ	Order-No.
Accredited calibration	MM-PK-LD Pistonfon	450003
Electrostatic actuator instead of standard protection grid	EA 2	302365
Adapter for ½" microphones to ¼" preamplifiers	A 69	302304
Adapter for ½" microphones to ¼" preamplifiers	A 69.1	302308
Angle adapter ½"	WA 20	302334
Angle adapter for ½" microphones to ¼" preamplifiers	WA 25	302339
Dehumidifier adapter ½"	TA 202 L	302349
Windscreen	W 2	302329

MK 211



Transducer type	Capacitive pressure transducer	
Frequency range	±2.0 dB	10 Hz to 40 kHz
zero degree incidence		
Open-circuit sensitivity	12.5 mV/Pa	
Open-circuit sensitivity	re 1 V/Pa	-38 dB ± 1.5 dB
Max. SPL for	Peak, with MV 203 @ 120 V	167 dB
3% THD at 1 kHz	RMS, with MV 203 @ 120 V	164 dB
Inherent noise	with MV 203	23 dB(A)
Polarization voltage	200 V	
Capacitance at 1 kHz	23 pF	
Temperature range, operation	-50°C to +100°C	
Temperature coefficient	≤0.01 dB/K	
Static pressure coefficient	-0.00001 dB/Pa	
Diameter	without protection grid	12.7 mm ± 0.05 mm
	with protection grid	13.2 mm ± 0.05 mm
Length	12.8 mm	
Weight	7 g	
Thread	for preamplifier	11.7 mm 60 UNS
	for protection grid	12.7 mm 60 UNS



D:EN 301162.02 (09.06.2026) © Microtech Gefell GmbH

Microtech Gefell GmbH · Georg-Neumann-Platz · 07926 Gefell · Germany

Phone +49 (0)36649 882-0 · Fax +49 (0)36649 882-11 · www.microtechgefell.de · info@microtechgefell.de