

MKS 222

1/2" measurement microphone capsule

for low-frequency applications

- WS2F acc IEC 61094-4
- free-field
- 0.5 Hz to 22 kHz
- 15 dB(A) to 156 dB
- 200 V polarization



The 1/2" measurement microphone capsule MKS 222 is especially designed for the measurement of very low frequencies in research and development and also for industrial use. All essential components are made of stainless steel.

The equalization of the static air pressure between the inside and outside of the MKS 222 capsule is by means of a capillary tube rear-vented into the preamplifier. The microphone capsule MKS 222 is designed for sound level meters of Type 1 according to IEC 61672.

Delivery

in wooden case 90 mm x 90 mm x 40 mm

stainless steel

order number: 311150

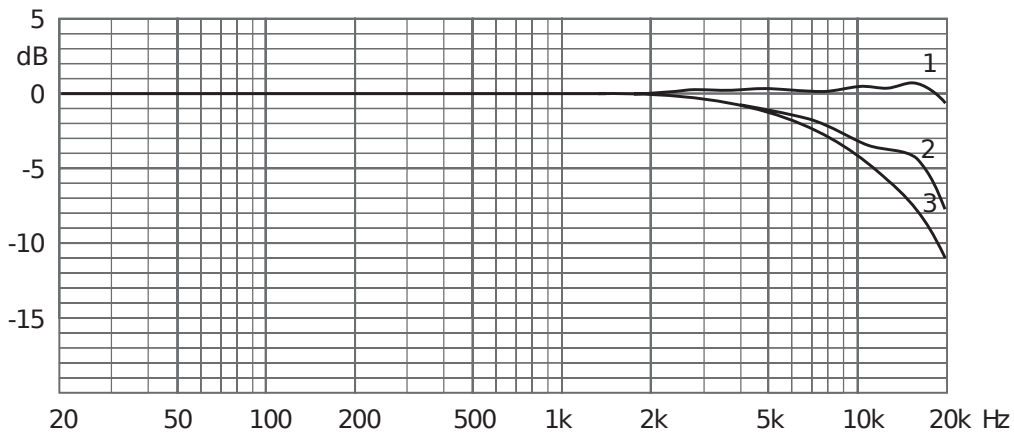
Accessories

Angle adapter 1/2"	WA 20	order number: 302334
Windscreen	W 2	order number: 302329

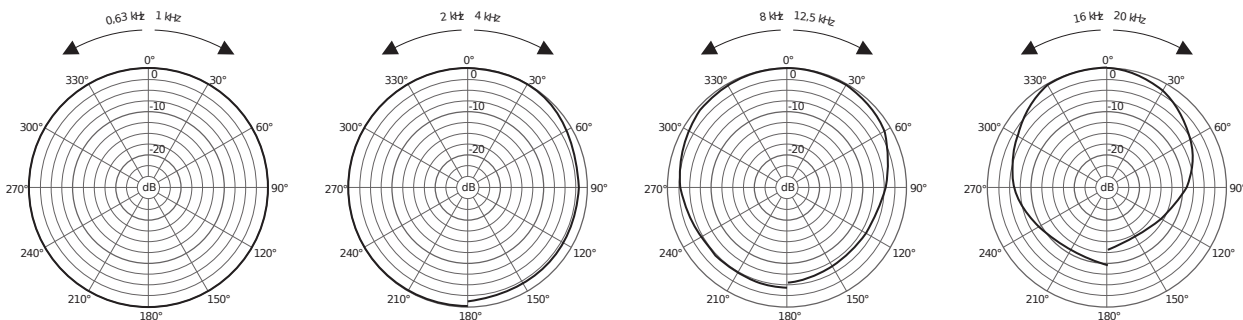
Technical Specifications



Transducer type		Capacitive pressure transducer
Frequency range	± 0.5 dB ± 1.0 dB	1.0 Hz to 20 kHz 0.5 Hz to 22 kHz
Sensitivity		50 mV/Pa
Sensitivity	re 1 V/Pa	-26 dB ± 1.5 dB
Max. SPL for 3% THD at 1 kHz	with MV 203 at 200 V with MV 212 at 200 V with MV 212 at 20 V	146 dB 136 dB 156 dB
Inherent noise		15 dBA
Polarization voltage		200 V
Capacitance at 1 kHz		16 pF
Main ambient temperature coefficient		≤ 0.01 dB/K
Main ambient pressure coefficient		-0.00001 dB/Pa
Diameter	without protection grid with protection grid	12.7 mm ± 0.02 mm 13.2 mm ± 0.02 mm
Height		16.4 mm
Weight		9 g
Preamplifier thread		11.7 mm 60 UNS
Protection grid thread		12.7 mm 60 UNS



Typical frequency response (1: zero degree incidence, 2: random incidence, 3: actuator pressure response)



Microtech Gefell GmbH · Georg-Neumann-Platz · 07926 Gefell · Germany

Phone +49 (0)36649 882-0 · Fax +49 (0)36649 882-11 · www.microtechgefell.de · info@microtechgefell.de