

MMS 214

1/2“ Measurement Microphone

with particularly low inherent noise level

- free-field
- 2 Hz to 20 kHz
- 6,5 dBA to 104 dB
- IEPE (BNC)
- Microphone power supply: IEPE
- TEDS acc. IEEE 1451



The MMS 214 has a particularly low inherent noise level and is designed for acoustic measurements of low sound pressure levels close to the threshold of human hearing. The electrical connection is via a BNC cable to devices with IEPE supply.

The microphone preamplifier internally generates the polarization voltage for the externally polarized microphone capsule. The measurement microphone is equipped with a built-in memory for microphone identification (TEDS acc. IEEE 1451).

Delivery

| | | |
|--|---------|--------|
| Measurement microphone, in wooden case 210 mm x 68 mm x 50 mm | MMS 214 | 318019 |
|--|---------|--------|

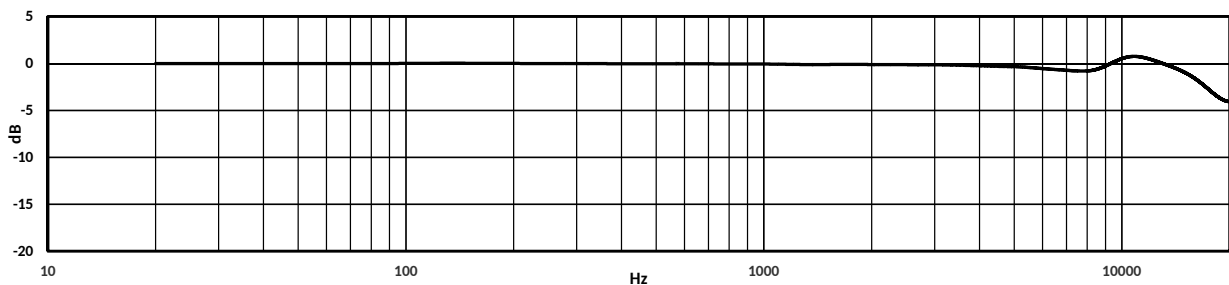
Options and Accessories

| | | |
|-----------------------------|-----------------------|--------|
| Microphone holder, turnable | MH 64 | 302332 |
| Microphone holder | MH 21 | 302351 |
| Windscreen | W 2 | 302329 |
| BNC cable, length: 2 m | BNC.02 | 302219 |
| BNC cable, length: 5 m | BNC.05 | 302220 |
| BNC cable, length: 10 m | BNC.1 | 302221 |
| BNC cable, length: 20 m | BNC.2 | 302222 |
| Accredited calibration | K-MM-EA-PK Kalibrator | 451003 |

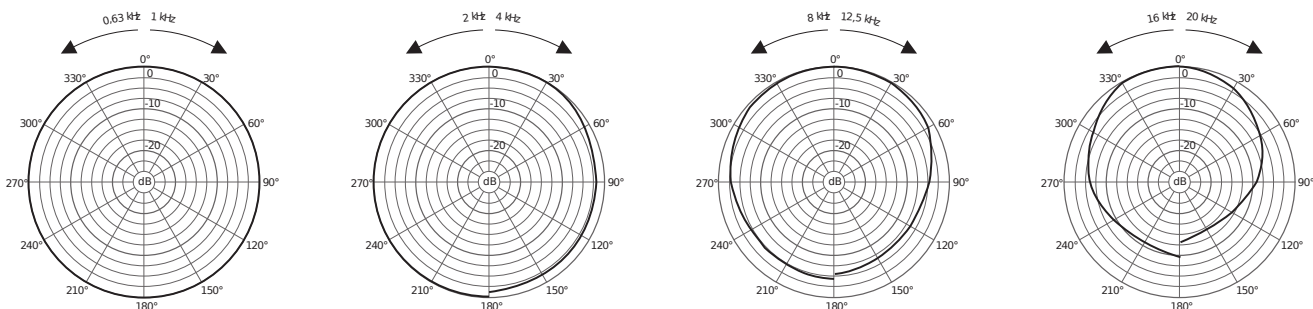
Technical Specifications



| | | |
|---------------------------------|-------------------------|-------------------------------------|
| Transducer type | | Capacitive pressure transducer |
| Frequency range | ± 2.0 dB | 2.5 Hz to 16 kHz |
| zero degree incidence | ± 3.0 dB | 2.0 Hz to 20 kHz |
| Sensitivity | | 320 mV/Pa |
| Sensitivity | re 1 V/Pa | -10 dB ± 2.5 dB |
| Max. SPL for 3% THD at 1 kHz | Peak, 20 Hz to 5 kHz | 116 dB |
| | Peak, 20 Hz to 20 kHz | 104 dB |
| | RMS, 20 Hz to 5 kHz | 113 dB |
| | RMS, 20 Hz to 20 kHz | 101 dB |
| Inherent noise | | 6.5 dBA |
| Output impedance | | <100 Ohm |
| Current consumption | | 4 mA to 20 mA |
| Power supply | | 24 V DC to 30 V DC |
| Temperature range, operation | | -20 °C to +60 °C |
| Temperature range, storage | | -40 °C to +80 °C |
| Temperature coefficient | at 250 Hz | ≤ 0.01 dB/K |
| Static pressure coefficient | at 250 Hz | -0.00001 dB/Pa |
| Humidity limits | | r.H. <100%, absence of condensation |
| Diameter | without protection grid | 12.7 mm \pm 0.05 mm |
| | with protection grid | 13.2 mm \pm 0.05 mm |
| Length | | 135 mm |
| Weight | | 250 g |
| Plug | | BNC |
| Microphone identify memory | | 256-Bit 1-Wire™ EEPROM |



Typical frequency response



Microtech Gefell GmbH · Georg-Neumann-Platz · 07926 Gefell · Germany

Phone +49 (0)36649 882-0 · Fax +49 (0)36649 882-11 · www.microtechgefell.de · info@microtechgefell.de